



Models: ABN08 ABP10
ABN10 ABV10

Air Conditioner

Owner's Manual

	Important Safety Information	3
	Operating Instructions <i>The Controls on Your Air Conditioner</i> <i>Care of Product</i>	4
	Installation Instructions <i>Important Electrical Safety</i> <i>Window Installation</i>	7
	Helpful Information <i>Things That Are Normal</i>	12
	If Something Goes Wrong <i>Before You Call for Service</i> <i>GE Service Numbers</i> <i>Warranty</i>	13

GE Answer Center[®]
800.626.2000

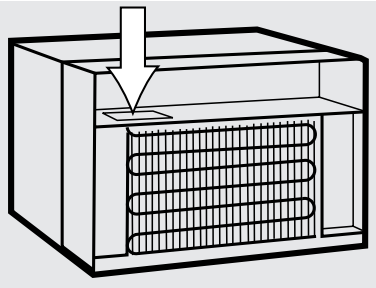
GE Appliances

Welcome

Welcome to the GE family. We're proud of our quality products and we believe in dependable service. You'll see it in this easy-to-use manual and you'll hear it in the friendly voices of our customer service department.

Best of all, you'll experience these values each time you enjoy the comfort of your air conditioner. That's important, because your new air conditioner will be part of your family for a long time.

Start Here!...Before using your air conditioner



Write down the model and serial numbers here. They are on a label on the left side of the air conditioner below the air discharge area.

Staple your receipt to the inside back cover of this manual. You will need it to obtain service under warranty.

Model number

Serial number

Date of purchase

Need Help?

*Help us
help you*

800.626.2000

Before you call for service, there are a few things you can do to help us serve you better.

Read this manual. It contains instructions to help you use and maintain your air conditioner properly.

Save time and money. Check the section titled "If Something Goes Wrong" before calling. This section helps you to solve common problems that might occur.

If you do need service, you can relax knowing help is only a phone call away. A list of toll-free customer service numbers is included in the back of this book. Or call the GE Answer Center[®] at 800.626.2000, 24 hours a day, 7 days a week.

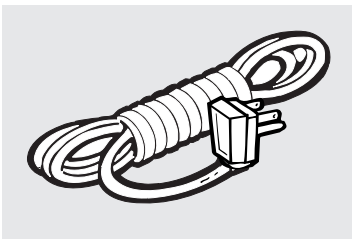
IMPORTANT SAFETY INFORMATION

READ ALL SAFETY INFORMATION BEFORE USING



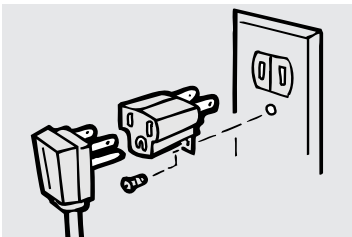
- This air conditioner must be properly installed in accordance with the Installation Instructions before it is used.
 - Repair or replace immediately all electric service cords that have become frayed or otherwise damaged.
 - Turn the mode control knob to **OFF** and unplug your air conditioner before making any repairs.
- NOTE:** We strongly recommend that any servicing be performed by a qualified individual.

Extension Cord



If an extension cord is required to reach the nearest wall receptacle, use only a UL-listed, 3-wire, grounded, 14 gauge, 15A, 125V appliance extension cord. For models with nameplate ratings greater than 12 amperes, do not use an extension cord.

Adapter Plug



This is a temporary method. UL-listed adapters are available at most hardware stores.

Because most 2-prong outlets are not grounded, we strongly advise against using an adapter plug. However, a temporary connection may be made where local codes permit and if the 2-prong wall outlet is properly grounded.

When you plug the adapter in, make sure the larger prong goes into the larger slot to provide the proper polarity for the power cord.

FOR PROPER GROUNDING:

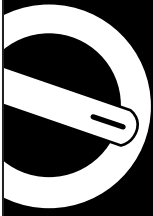
- 1 Screw the adapter to the outlet, using the outlet cover screw.
- 2 Ground the outlet through the house wiring.

When disconnecting the power cord from the adapter, hold the adapter close to the outlet while pulling the plug out. If this is not done, the grounding connector is likely to break with repeated use.

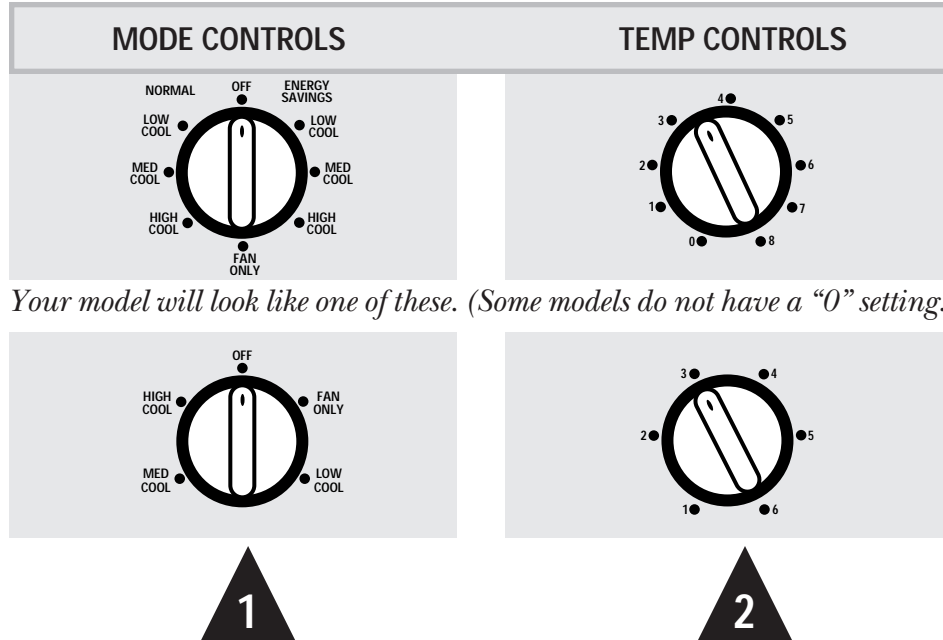
If the grounding connector breaks, **DO NOT USE** the air conditioner until a proper ground has again been made.

SAVE THESE INSTRUCTIONS

Operating Instructions



The controls on your air conditioner



Your model will look like one of these. (Some models do not have a “0” setting.)

1 Mode Control

The energy saver switch controls the fan.

ENERGY SAVINGS—the fan and compressor cycle on and off together. This results in wider variations of room temperature and humidity.

Normally used when the room is unoccupied.

NORMAL—the fan runs all the time, while the compressor cycles on and off. This switch must be set at **NORMAL** in order to use the fan setting (on the mode control).

HIGH COOL, MED COOL and **LOW COOL** provide cooling with different fan speeds.

FAN ONLY provides air circulation and filtering without cooling.

NOTE:

If you move the switch from a cool setting to OFF or to a fan setting, wait at least 3 minutes before switching back to a cool setting.

2 Temp Control

The temp control is used to maintain the room temperature. The compressor will cycle on and off to keep the room at the same level of comfort. The higher the number selected, the cooler the indoor air will become.

The blower runs as long as the mode control is not on **OFF**.

Cooling Descriptions



FOR NORMAL COOLING

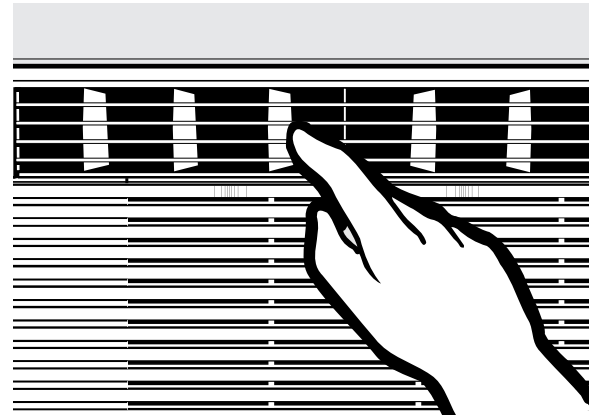
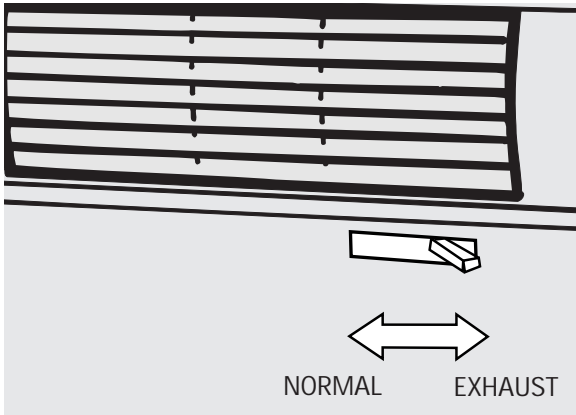
Select *MED COOL* with the temp at 3 or 4.

FOR MAXIMUM COOLING

Select *HIGH COOL* with the temp at 6 or 8.

FOR QUIETER & NIGHTTIME COOLING

Select *LOW COOL* with the temp at 3 or 4.



3 *Vent Control*

The vent control is a lever located on the control panel.

When the vent control is set at normal, only the air inside the room is circulated, cooled and filtered.

When set at exhaust, some indoor air will be exhausted from the room. This will reduce the cooling effect.

4 *Air Direction*

Tabs inside the horizontal louvers let you control the air direction left, right or straight ahead.



Operating Instructions

Care & Cleaning

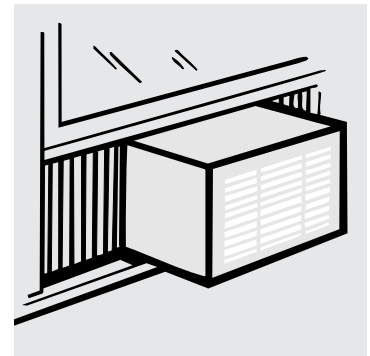
Grille and Case

Turn the air conditioner off and remove the plug from the wall outlet before cleaning.

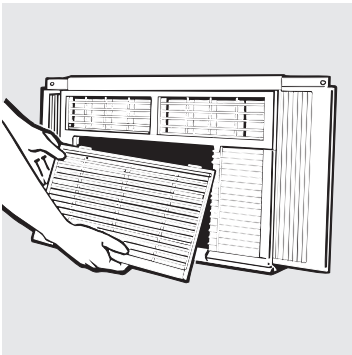
To clean, use water and a mild detergent. Do not use bleach or abrasives.

Outdoor Coils

The coils on the outdoor side of the air conditioner should be checked regularly. If they are clogged with dirt or soot they may be professionally steam cleaned, a service available through your GE service outlet.



Front Grille and Air Filter



The air filter is behind the front grille insert and should be checked and cleaned at least every 30 days or more often if necessary.

To remove the front grille insert:
Place your hand on the bottom of the front grille. Pull it out and down to release the tabs.

Remove the air filter. The filter can be washed in warm soapy water. Rinse and let the filter dry before replacing it.

To replace the grille insert:

Hook the tabs on the left and right side. Gently press until it snaps into place.

⚠ CAUTION:

DO NOT operate the air conditioner without a filter because dirt and lint will clog the unit and reduce performance.

Installation Instructions



Important Electrical Safety—Read Carefully

Important Notes

Installer: Leave these instructions with the appliance.

Owner: Keep these instructions for future use.

- For personal safety, this air conditioner must be properly grounded.
- It is important to have the wall outlet and circuit checked by a qualified electrician if there is any doubt as to whether a proper ground exists.
- Follow National Electrical Code (NEC) or local codes and ordinances.

⚠ CAUTION:

- *Do not, under any circumstances, cut or remove the third (ground) prong from the power cord.*
- *Do not change the plug on the power cord of this air conditioner.*
- *Aluminum house wiring may present special problems—consult a qualified electrician.*

Electrical Requirements



Parallel
115V., 15 Amp.

The 115-volt models require a 115/120-volt a.c., 60 Hz grounded outlet protected with a 15-amp time delay fuse or circuit breaker.

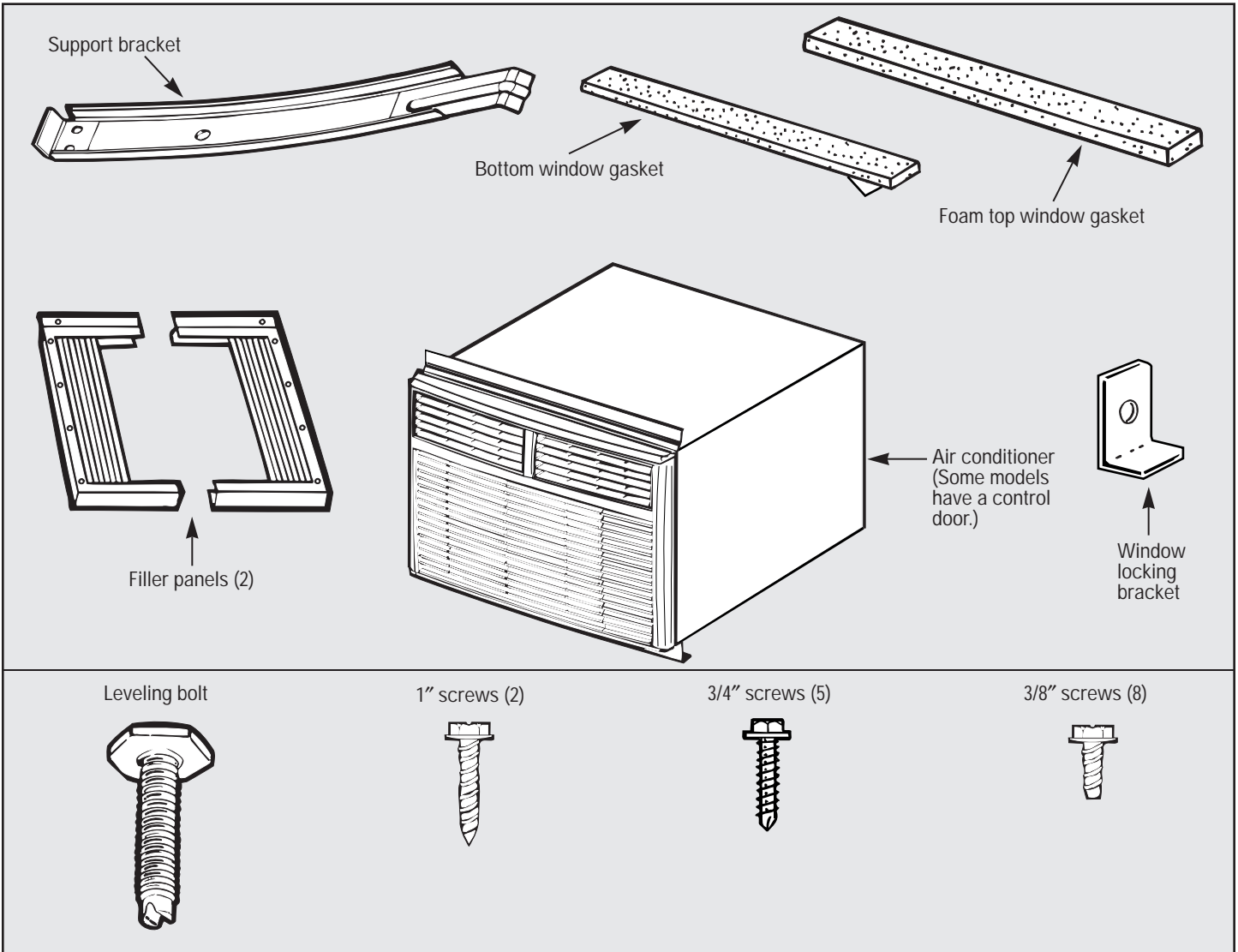
The 3-prong grounding plug minimizes the possibility of electric shock hazard. If the wall outlet you plan to use is only a 2-prong outlet, it is your responsibility to have it replaced with a properly grounded 3-prong wall outlet.



Installation Instructions

Before you begin

Parts Included



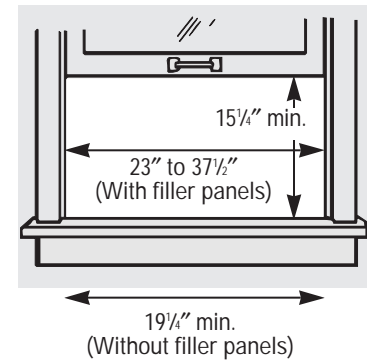
Tools Needed

- Blade-type screwdriver
- 1/4" hex-head nut driver
- 9/16" open-end or adjustable wrench
- Ruler or tape measure
- Scissors or knife
- Level
- Pencil



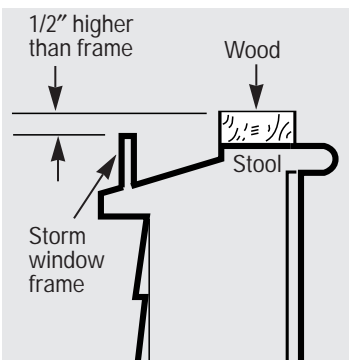
Window Requirements

- These instructions are for a standard double-hung window. You will need to modify them for other types of windows.
- The air conditioner can be installed without the filler panels if needed to fit in a narrow window. See the window opening dimensions to the right.
- All supporting parts should be secured to firm wood, masonry or metal.
- The electrical outlet must be within reach of the power cord. Do not use an extension cord.



Window opening dimensions are for a standard double-hung window.

Storm Window Requirements



A storm window frame will not allow the air conditioner to tilt towards the outside and will keep it from draining properly. To adjust for this, attach a piece of wood to the stool.

WOOD PIECES:

WIDTH: 2"

LENGTH: Long enough to fit inside the window frame.

THICKNESS: To determine the thickness, place a piece of wood on the stool to make it 1/2" higher than the top of the storm window frame.

Attach securely with nails or screws.



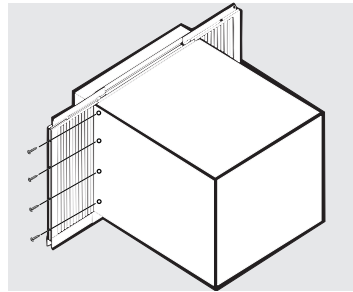
Installation Instructions

Read completely then follow step-by-step

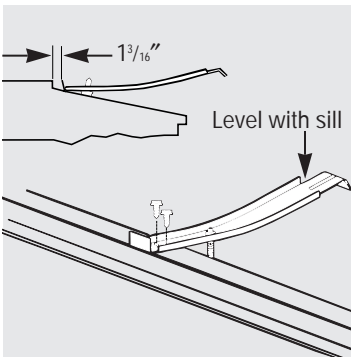
Install the Filler Panels

- 1 Insert the right and left hand filler panels into the top and bottom rails.

- 2 Secure them with eight 3/8" screws, four on each side.



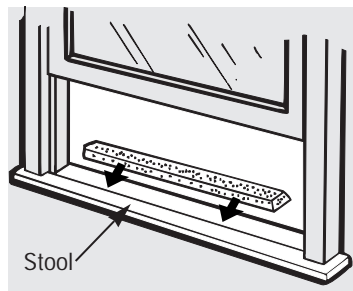
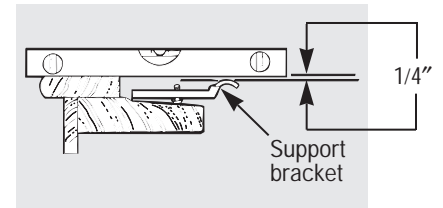
Install the Support Bracket



- 1 Screw the leveling bolt into the support bracket.
- 2 Mark the centerline of the window and place the support bracket on it 1 3/16" from the window stool.

- 5 Using the level, adjust the leveling bolt so the curved top of the support bracket is 1/4" below the top of the window stool.

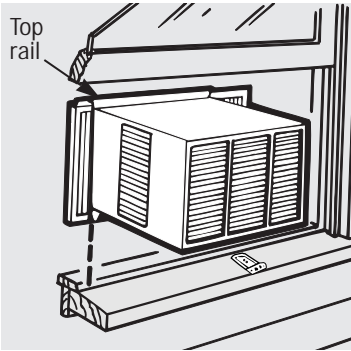
- 3 Attach the support bracket onto the window sill with two 1" screws.
- 4 Peel the backing off the bottom window gasket and place onto the backside of the window stool.



NOTE:
This downward tilt towards the outside prevents water from entering the room.



Install the Air Conditioner in the Window

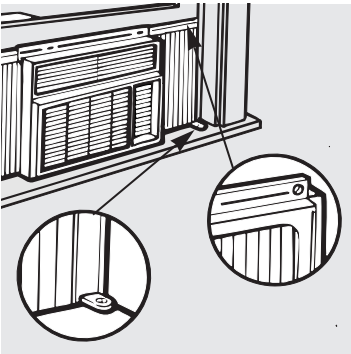


- 1 Center the air conditioner in the window placing it on the support bracket. Make sure the bottom rail is behind the window stool.
- 2 Lower the window until it touches behind the air conditioner top rail.

⚠ CAUTION:

- **DO NOT** release the grip on the air conditioner until it fits tight between the window and the stool.
- **DO NOT** drill a hole in the base pan. The air conditioner is designed to operate with water in the base pan.

Slide Out the Filler Panels

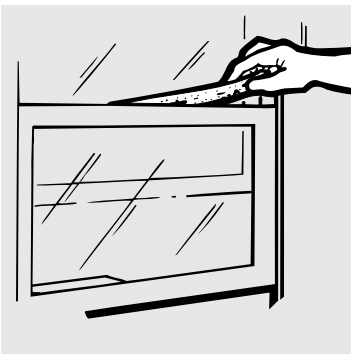


- 1 Extend the filler panels on both sides until they touch the window tracks.
- 2 Secure the top and the bottom with four 3/4" long screws.

INSTALLATION WITHOUT THE FILLER PANELS

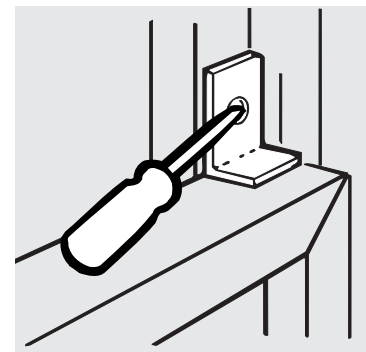
If filler is required on the sides of the air conditioner, cut filler sheet (not supplied) to size and fill both sides.

Install the Window Gasket and the Locking Bracket



- 1 Cut the foam top window gasket to the window width.
- 2 Stuff the foam between the glass and the window to prevent air and insects from getting into the room.





- 3 Attach the window locking bracket with a 3/4" screw.





Helpful Information

Things That Are Normal

<i>Noise</i>	<i>Explanation</i>
PING! 	You may hear a pinging noise caused by water being picked up and thrown against the condenser on rainy days or when the humidity is high. This design feature helps remove moisture and improve efficiency.
"CLICK" 	You may hear the thermostat click when the compressor cycles on and off.
DRIP 	Water will collect in the base pan during high humidity or on rainy days. The water may overflow and drip from the outdoor side of the unit.
WHIR! 	The fan may run even when the compressor is not.

If Something Goes Wrong

Before You Call for Service



<i>Problem</i>	<i>Possible Causes</i>	<i>What to Do</i>
Air Conditioner Doesn't Start	The air conditioner is unplugged	<ul style="list-style-type: none">• Make sure the air conditioner plug is pushed completely into the outlet.
	The fuse is blown/circuit breaker is tripped	<ul style="list-style-type: none">• Check the house fuse/circuit breaker box and replace fuse or reset the breaker.
	Power failure	<ul style="list-style-type: none">• If power failure occurs, turn the mode control to OFF. When power is restored, wait 3 minutes to restart the air conditioner to prevent tripping of the compressor overload.
Air Conditioner Does Not Cool as it Should	Airflow is restricted	<ul style="list-style-type: none">• Make sure there are no curtains, blinds or furniture blocking the front of the air conditioner.
	The temp control may not be set high enough	<ul style="list-style-type: none">• Turn the knob to a higher number. The highest setting provides maximum cooling.
	The air filter is dirty	<ul style="list-style-type: none">• Clean the filter at least every 30 days. See the Care and Cleaning section.
	The room may have been hot	<ul style="list-style-type: none">• When the air conditioner is first turned on you need to allow time for the room to cool down.
	Cold air is escaping	<ul style="list-style-type: none">• Check for open furnace floor registers and cold air returns.• Set the vent in the closed position.
	Cooling coils have iced up	<ul style="list-style-type: none">• See freezing up below.
Air Conditioner Freezing Up	Ice blocks the air flow and stops the air conditioner from cooling the room	<ul style="list-style-type: none">• Set the mode control at FAN ONLY or HIGH COOL with the temp at 1 or 2.

GE Service Numbers

We'll be there!



GE Answer Center®

800.626.2000

**TDD
800-833-4322**

Open 24 hours a day,
7 days a week.

In-Home Repair Service

**800-GE-CARES
(800-432-2737)**

We provide expert repair service,
scheduled at a time that's
convenient for you.

Our factory-trained technicians
know your appliance inside and out—
so most repairs can be handled in
just one visit.

Service Contracts

800-626-2224

With a service contract GE
Consumer Service will still be there
after your warranty expires.

With a multiple-year contract,
you're assured of future service at
today's prices.

Parts and Accessories

800-626-2002

Individuals qualified to service
their own appliances can have
parts or accessories sent directly
to their home.

VISA, MasterCard and Discover
cards are accepted.

**Care and cleaning instructions con-
tained in this manual cover proce-
dures to be performed by any user.
Other servicing generally should be
referred to qualified service person-
nel. Caution must be exercised,
since improper servicing may cause
unsafe operation.**

Further Service

If for some reason you
are not happy with the
service you receive, here
are three steps to follow
for further help.

First, contact the people who ser-
viced your appliance. Explain why
you are not pleased.

Next, if you are still not pleased,
write all the details—including
your phone number—to:

Consumer Relations
GE Appliances
Louisville, KY 40225

Finally, if your problem is still
not resolved, write:

Major Appliance
Consumer Action Program
20 North Wacker Drive
Chicago, IL 60606

AIR CONDITIONER WARRANTY

Staple sales slip or cancelled check here. Proof of original purchase date is needed to obtain service under warranty.

What is Covered

FULL ONE-YEAR WARRANTY

For one year from date of original purchase, we will provide, free of charge, parts and service labor in your home to repair or replace *any part of the room air conditioner* that fails because of a manufacturing defect.

FULL FIVE-YEAR WARRANTY

For five years from the date of original purchase, we will provide, free of charge, parts and service labor in your home to repair or replace *any part of the sealed refrigerating system* (the compressor, condenser, evaporator and all connecting tubing) that fails because of a manufacturing defect.

This warranty is extended to the original purchaser and any succeeding owner for products purchased for use in the 48 mainland states, Hawaii and Washington, D.C. In Alaska the warranty is the same except that it is LIMITED because you must pay to ship the product to the service shop or for the service technician's travel costs to your home.

All warranty service will be provided by our Factory Service Centers or by our authorized Customer Care® servicers during normal working hours.

Should your appliance need service, during warranty period or beyond, call 800-GE-CARES (800-432-2737).

What is Not Covered

- Service trips to your home to teach you how to use the product.

Read your Owner's Manual. If you then have any questions about operating the product, please contact your dealer or our Consumer Affairs office at the address below, or call, toll free:

GE Answer Center®
800.626.2000
consumer information service

- Improper installation.

If you have an installation problem, or if the air conditioner is of improper cooling capacity for the intended use, contact your dealer or installer. You are responsible for providing adequate electrical connecting facilities.

- Replacement of house fuses or resetting of circuit breakers.
- In commercial locations labor necessary to move the unit to a location where it is accessible for service by an individual technician.
- Failure of the product resulting from modifications to the product or due to unreasonable use including failure to provide reasonable and necessary maintenance.
- Failure due to corrosion on models not corrosion-protected.
- Damage to product caused by improper power supply voltage, accident, fire, floods or acts of God.

WARRANTOR IS NOT RESPONSIBLE FOR CONSEQUENTIAL DAMAGES.

Some states do not allow the exclusion or limitation of incidental or consequential damages, so the above limitation or exclusion may not apply to you. This warranty gives you specific legal rights, and you may also have other rights which vary from state to state. To know what your legal rights are in your state, consult your local or state consumer affairs office or your state's Attorney General.

Warrantor: General Electric Company

**If further help is needed concerning this warranty, write:
Manager—Consumer Affairs, GE Appliances, Louisville, KY 40225**